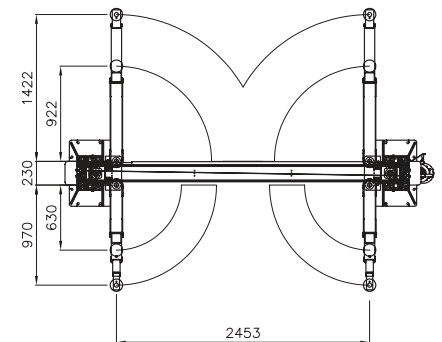
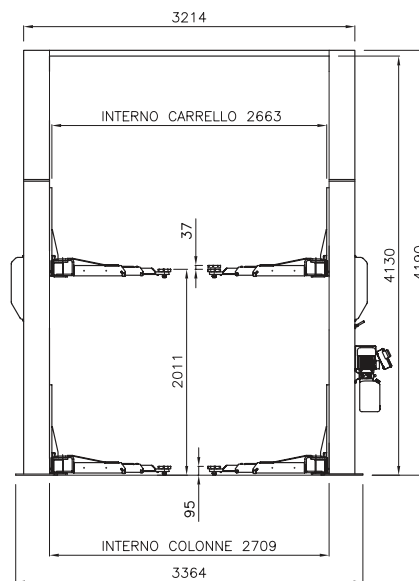


Electro-Hydraulic Two Post Lift

Model: 210I/42B

Capacity: 4,200 kg

- Symmetric lift without base frame for greater space free area at work
- Equipped with two lifting rams which do not require maintenance. Non-bearing cables for perfect synchronisation of the trolleys no matter what distribution weight is loaded
- Designed with short, super lowered three-stage arms parallel to the floor: ideal for lifting low, long wheel based vehicles. Pads min. height 95 mm. only
- Safety valves protecting to prevent overloads and breakages of hydraulic hoses
- Descent velocity controlled by hydraulic valve
- Mechanical support device with automatic activation and deactivation by means of electro-magnetic valve insuring maximum safety during locking procedures



Dati tecnici	Technical data	Technische Eigenschaften	Caractéristiques techniques	Datos técnicos	
Portata	Capacity	Tragfähigkeit	Capacité	Capacidad	4.200 kg
Peso	Weight	Gewicht	Poids	Peso	715 kg
Salita/Discesa	Lifting/lowering	Hub/Senkzeit	Levage/descente	Subida/Bajada	43 s
Altezza di sollevamento	Lifting height	Hubhöhe	Hauteur de levage	Altura de elevación	2011 mm
Motore	Motor	Motorleistung	Puissance moteur	Motor	2,2 kW - 3 ph 230-400V/50 Hz



FOR MORE INFORMATION, PLEASE CONTACT

☎ 1300 694 363

✉ SALES@GENESISEQUIPMENT.COM.AU

📍 UNIT 2 / 67 RADLEY ST, VIRGINIA QLD 4014

☎ 0459 505 018

🌐 WWW.GENESISEQUIPMENT.COM.AU

📍 PO BOX 435, VIRGINIA BC QLD 4014

WORKSHOP FITOUTS | VEHICLE LIFTS | WORKSHOP EQUIPMENT | SERVICE & PARTS