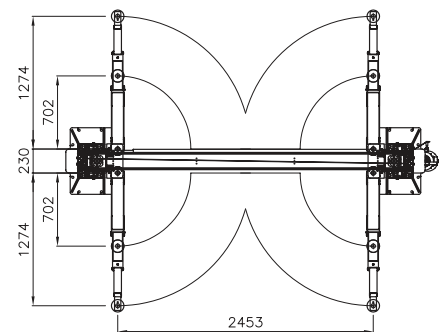
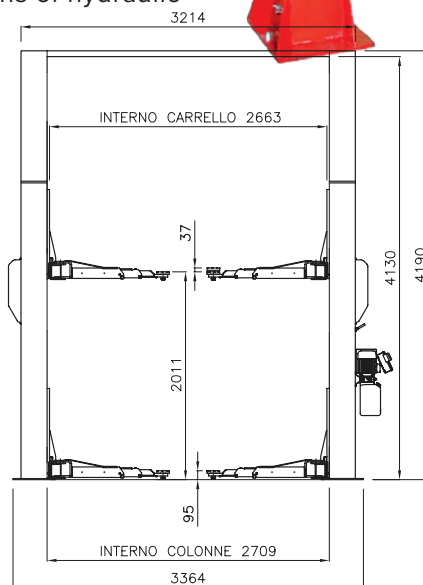


# Electro-Hydraulic Two Post Lift

Model: 210I/42SMB

Capacity: 4,200 kg

- Symmetric lift without base frame for greater space free area at work
- Equipped with two lifting rams which do not require maintenance
- Non-bearing cables for perfect synchronisation of the trolleys no matter what distribution weight is loaded
- Designed with 4 extended three-stage arms: ideal for lifting vans and long wheel based vehicles, whilst perfect for standard vehicles.
- Pads minimum height 95mm
- Overload valve and safety valve in case of hydraulic hose failures
- Slow descent controlled by means of hydraulic valve
- Safety valves protecting to prevent overloads and breakages of hydraulic hoses
- Descent velocity controlled by hydraulic valve
- Mechanical support device with automatic activation and deactivation by means of electro-magnetic valve insuring maximum safety during locking procedures



Dati tecnici	Technical data	Technische Eigenschaften	Caractéristiques techniques	Datos técnicos	
Portata	<b>Capacity</b>	Tragfähigkeit	Capacité	Capacidad	<b>4.200 kg</b>
Peso	<b>Weight</b>	Gewicht	Poids	Peso	<b>745 kg</b>
Salita/Discesa	<b>Lifting/lowering</b>	Hub/Senkzeit	Levage/descente	Subida/Bajada	<b>43 s</b>
Altezza di sollevamento	<b>Lifting height</b>	Hubhöhe	Hauteur de levage	Altura de elevación	<b>2011 mm</b>
Motore	<b>Motor</b>	Motorleistung	Puissance moteur	Motor	<b>2,2 kW - 3 ph 230-400V/50 Hz</b>



FOR MORE INFORMATION, PLEASE CONTACT

☎ 1300 694 363

✉ SALES@GENESEQUIPMENT.COM.AU

📍 UNIT 2 / 67 RADLEY ST, VIRGINIA QLD 4014

☎ 0459 505 018

🌐 WWW.GENESEQUIPMENT.COM.AU

📍 PO BOX 435, VIRGINIA BC QLD 4014

WORKSHOP FITOUTS | VEHICLE LIFTS | WORKSHOP EQUIPMENT | SERVICE & PARTS