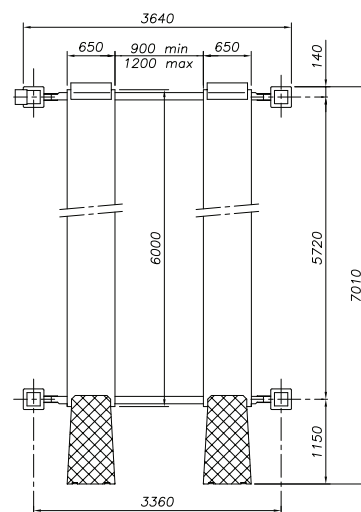
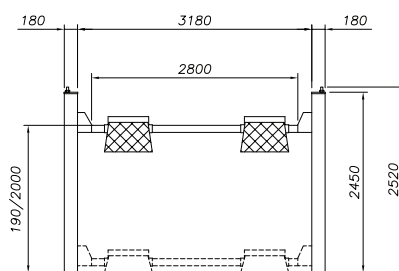
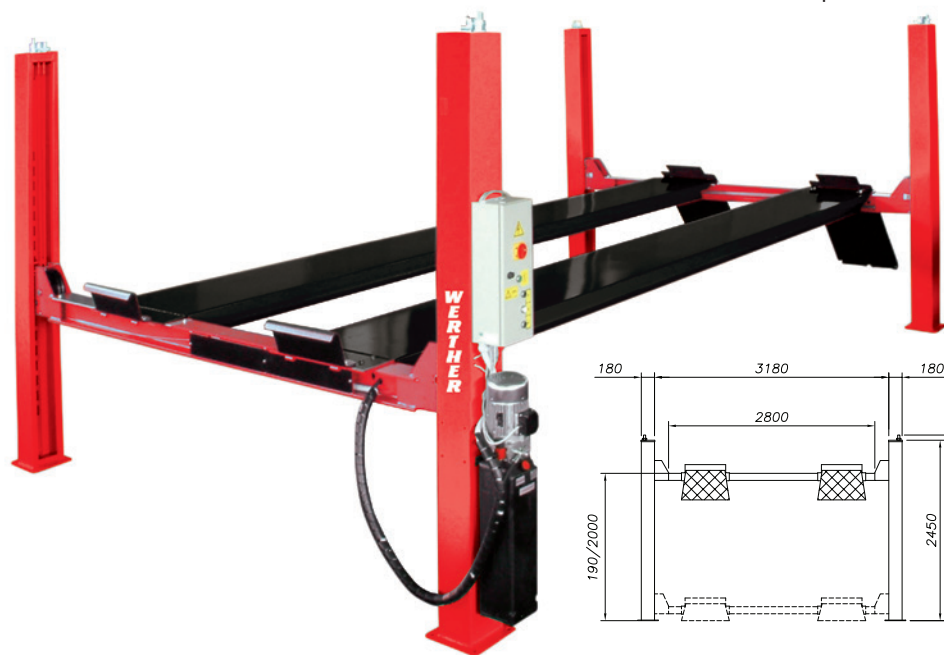


Electro-Hydraulic Four Post Lift

Model: 460

Capacity: 6,000 kg

- Electro-hydraulic low profile 4 post lift
- Safety device in case of cable breakage
- Overload safety valve
- Descent control valve
- “Buzzer” on last portion of descent
- Pipe burst safety valve
- 24V, low tension dead man controls
- Electrical controlled fall safety
- Automatic release of safety locking devices
- Automatic descent control
- Sound proof safety devices



Dati tecnici	Technical data	Technische Eigenschaften	Caractéristiques techniques	Datos técnicos	
Portata	Capacity	Tragfähigkeit	Capacité	Capacidad	6.000 kg
Peso	Weight	Gewicht	Poids	Peso	1730 kg
Salita/Discesa	Lifting/descent	Hub/Senkzeit	Levage/descente	Subida/Bajada	55 s
Altezza di sollevamento	Lifting height	Hubhöhe	Hauteur de levage	Altura de elevación	2000 mm
Motore	Motor	Motorleistung	Puissance moteur	Motor	3,0 kW - 3 ph 230 400V/50 Hz



FOR MORE INFORMATION, PLEASE CONTACT

1300 694 363

SALES@GENESISEQUIPMENT.COM.AU

UNIT 2 / 67 RADLEY ST, VIRGINIA QLD 4014

0459 505 018

WWW.GENESISEQUIPMENT.COM.AU

PO BOX 435, VIRGINIA BC QLD 4014

WORKSHOP FITOUTS | VEHICLE LIFTS | WORKSHOP EQUIPMENT | SERVICE & PARTS