

# QUICKJACK™

## Crossbeam Adapter

FITS BL-5000 AND BL-7000 SERIES



Some cars may have staggered or uneven lifting points, and many trucks might have kicked frame rails, this can sometimes make lifting your vehicle with a QuickJack challenging. The Crossbeam Adapter Set can give your QuickJack some of the capabilities of a two-post lift by allowing you to position contact pads directly under even the most staggered lifting points around. Though you can easily and safely lift your car with your QuickJack placed sideways, it may obstruct your undercarriage, which can make some maintenance difficult or impossible to perform. The Crossbeam Adapter Set can reach all of your recommended lifting points while leaving your undercarriage completely free!

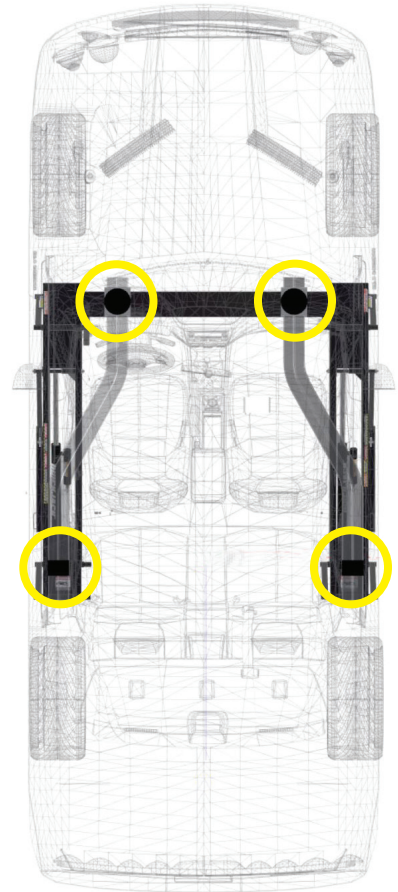
The Crossbeam Adapter Set fits securely in the lifting trays of each QuickJack frame and has a rail for special contact pads to slide along, making it simple to find the correct lifting points on any car or truck! The lower feet placed in the QuickJack trays can also slide easily along the crossbeam, which allows you to position your QuickJack frames as near or far as you want up to its 65" length. The Crossbeam Adapter Set even adds 4.75" clearance height, giving you a little extra room while you're working underneath.

This set comes with the crossbeam adapter, two easy-slide adapter pads and two extended-length rear contact pads to match the additional height of the crossbeam. With everything you need to adapt your QuickJack to meet any situation, this set will quickly become one of the most important accessories in your garage!

- Reaches difficult lifting points front to rear
- Adjustable lifting pads
- Additional 4.75" clearance height
- Comes with custom contact pads
- Unobstructed undercarriage
- **Fits BL-5000 and BL-7000 series models only**

### WHAT'S INCLUDED

- (1) Crossbeam weldment
- (2) Sliding base pad assemblies
- (2) Sliding lift pad assemblies
- (2) Base height adapter assemblies
- (2) Round lift pad adapter assemblies



### SPECIFICATIONS

<b>Crossbeam length</b>	65" (1,651 mm)
<b>Crossbeam w/ adapter height (BL-5000 Series)</b>	4.75" (121 mm)
<b>Crossbeam w/ adapter height (BL-7000 Series)</b>	5" (127 mm)
<b>Crossbeam to pad</b>	1.5" (38 mm)
<b>Base pad dimensions</b>	4.75" x 4.75" (121 x 121 mm)
<b>Round pad diameter</b>	5" (127 mm)